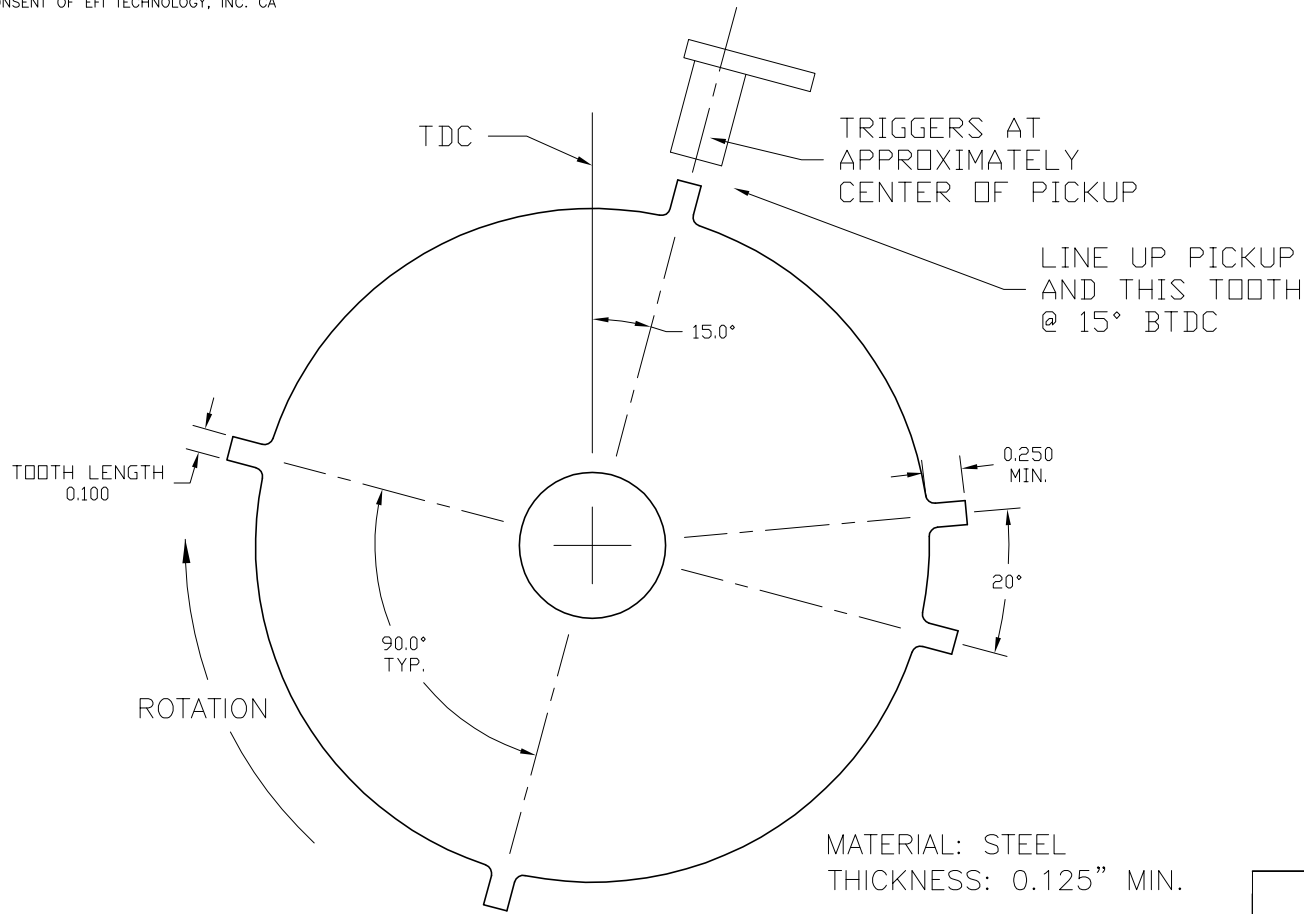


NOTICE

THIS DRAWING IS CONFIDENTIAL AND IS SUPPLIED ON THE EXPRESS CONDITION THAT IT SHALL NOT BE LENT, COPIED OR DISCLOSED TO ANY OTHER PERSON OR USED FOR ANY PURPOSE WITHOUT THE PRIOR WRITTEN CONSENT OF EFI TECHNOLOGY, INC. CA

REVISIONS			
LTR	DESCRIPTION	DATE	APPROVED
	INITIAL RELEASE	04/15/99	



CRANK MAGNETIC
TRIGGER EDGE: CENTER OF TOOTH

MATERIAL: STEEL
THICKNESS: 0.125" MIN.



4 CYLINDER 5 TOOTH
(4 + 1) TRIGGER WHEEL

CHECKED BY:	DRAWN BY: NAME	DATE: 04/15/99
REV:	MAT'L:	DWG #: WHEEL 4+1
DO NOT SCALE DRAWING		SHEET NO: 1 OF 1