



## THE ULTIMATE CHOICE IN DRIVER INSTRUMENTATION

Fully programmable,  
bright easy to read displays,  
interfaces to any EFI data logger

## DASHBOARD DISPLAY SYSTEMS

### LCD DASHBOARD

- 6 user-definable fields
- 3 driver-selectable pages
- Programmable shift point
- User-defined RPM scale
- Fuel remaining bargraph
- Programmable pop-up alarms
- Backlighting (optional)
- External warning lights (optional)



### GEAR POSITION / SHIFT LAMP MODULE

Optimizes gear shift timing with:

- Gear position indicator
- 4 sequential shift lights
- Warning light



### NUMERIC DISPLAY MODULE

Displays critical data with:

- User defined channel
- 3 driver-selectable pages
- Up to 4 numeric modules

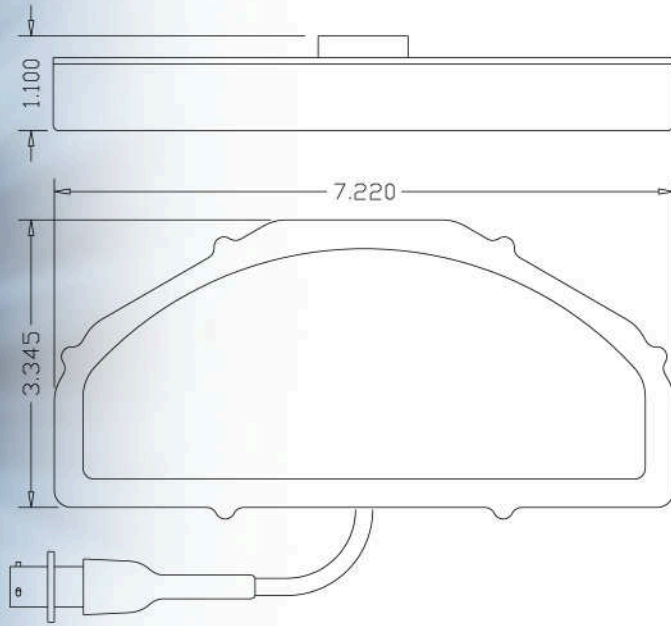


### STEERING WHEEL DASH

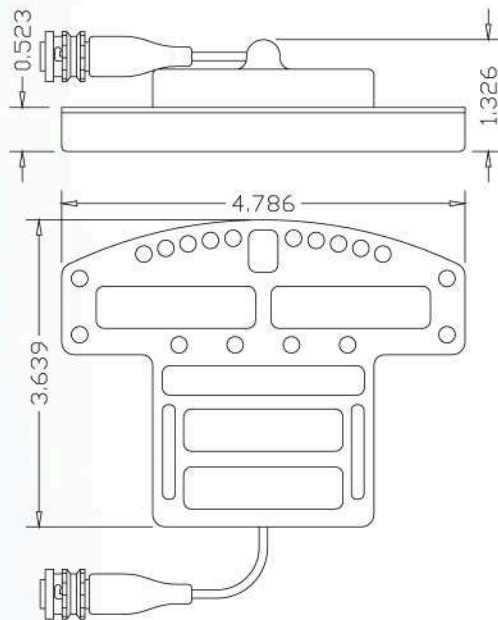
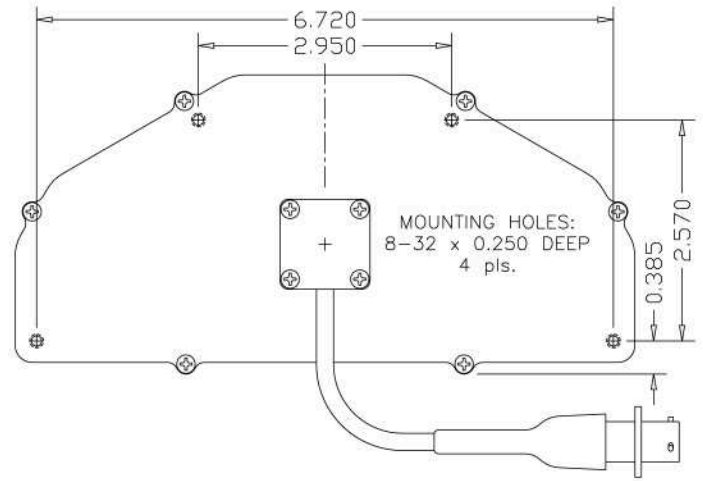
- 5 user-definable fields
- 3 driver-selectable pages
- 2 user-definable bargraphs
- Gear position indicator
- Sequential shift lights
- Programmable pop-up alarms
- 4 system warning lights
- 2 yellow flag warning lights
- 2 spare warning lights



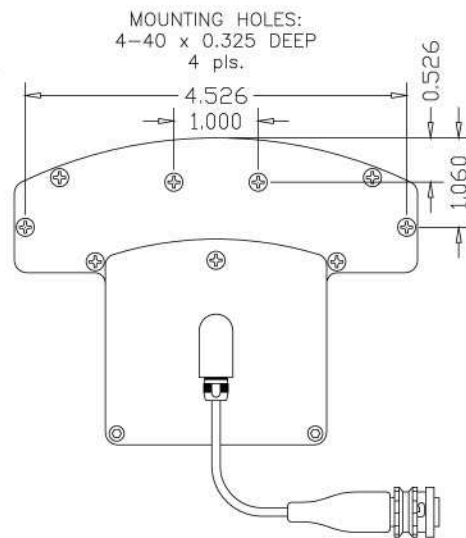
# DASHBOARD DISPLAY SYSTEMS *Technical Specifications*



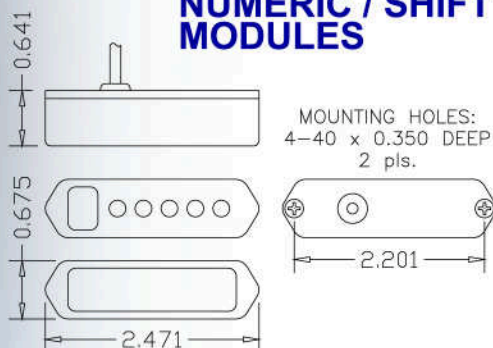
## LCD DASHBOARD



## STEERING WHEEL DASHBOARD



## NUMERIC / SHIFT LAMP MODULES



## OPERATIONAL

Enclosure:	Billet 6061 Aluminum
Construction:	CMOS surface mount design
Environmental:	Silicone sealed
Connectors:	Mil-Spec / Autosport type
Power Supply:	9.7 to 20 volts transient protected
Power Consumption:	1.5 - 14 watts @ 14 volts
Operating Temp:	-40 to +85 deg C continuous

*Specifications subject to change without prior notice*